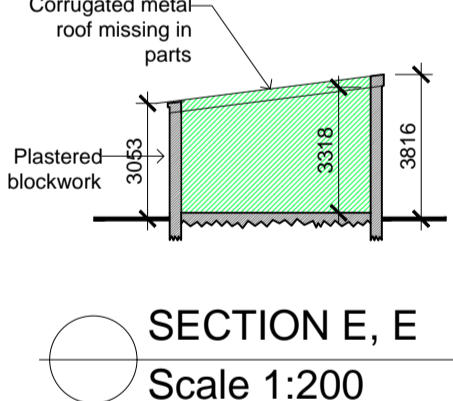
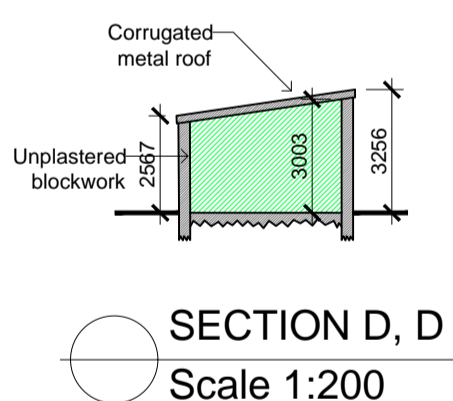
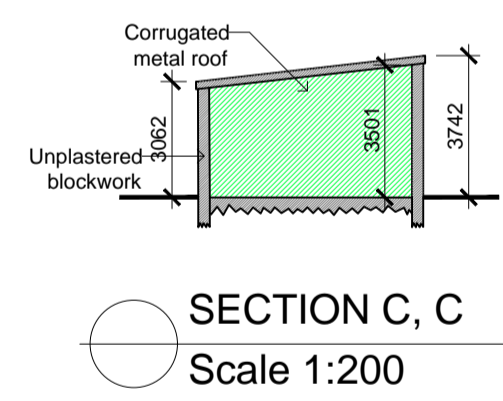
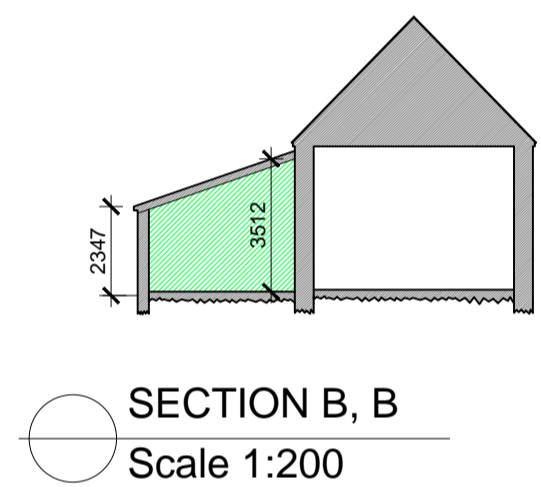
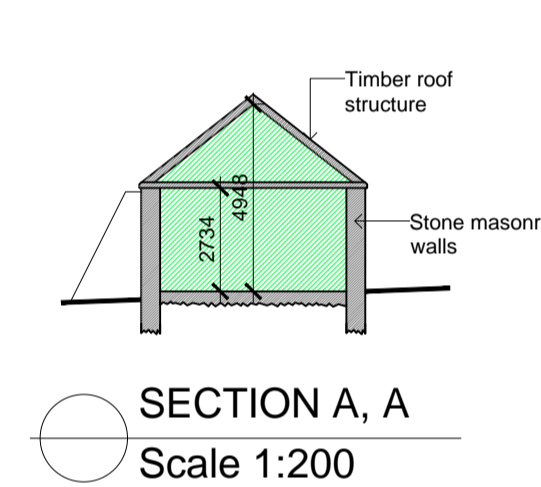
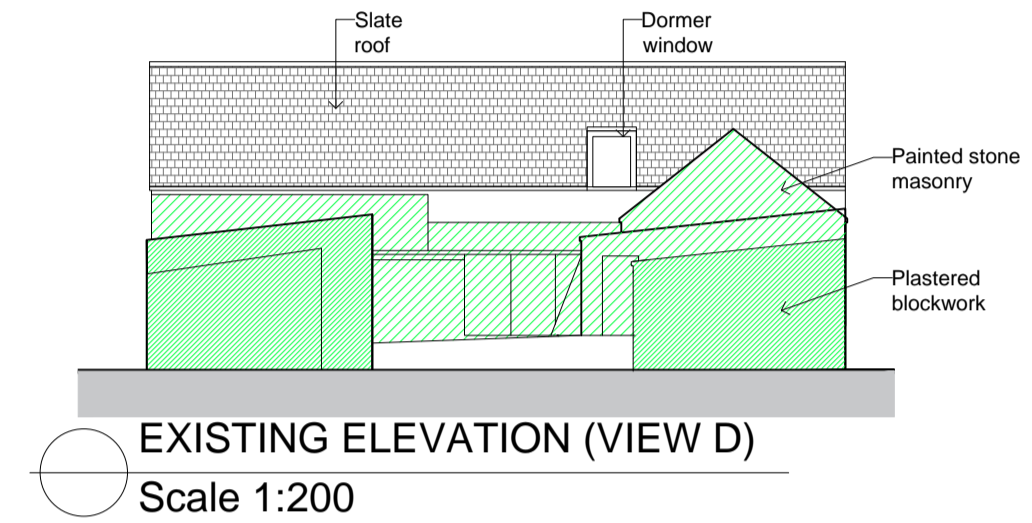
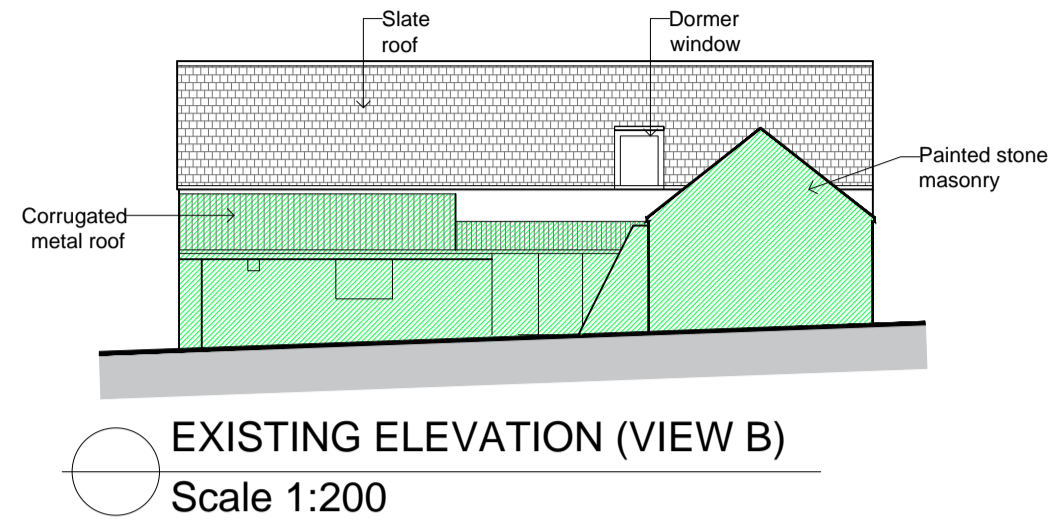
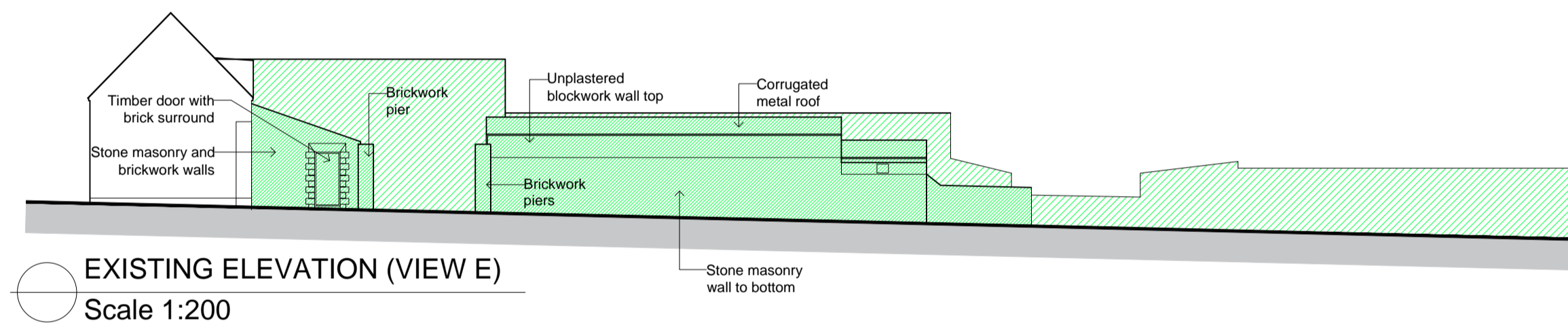
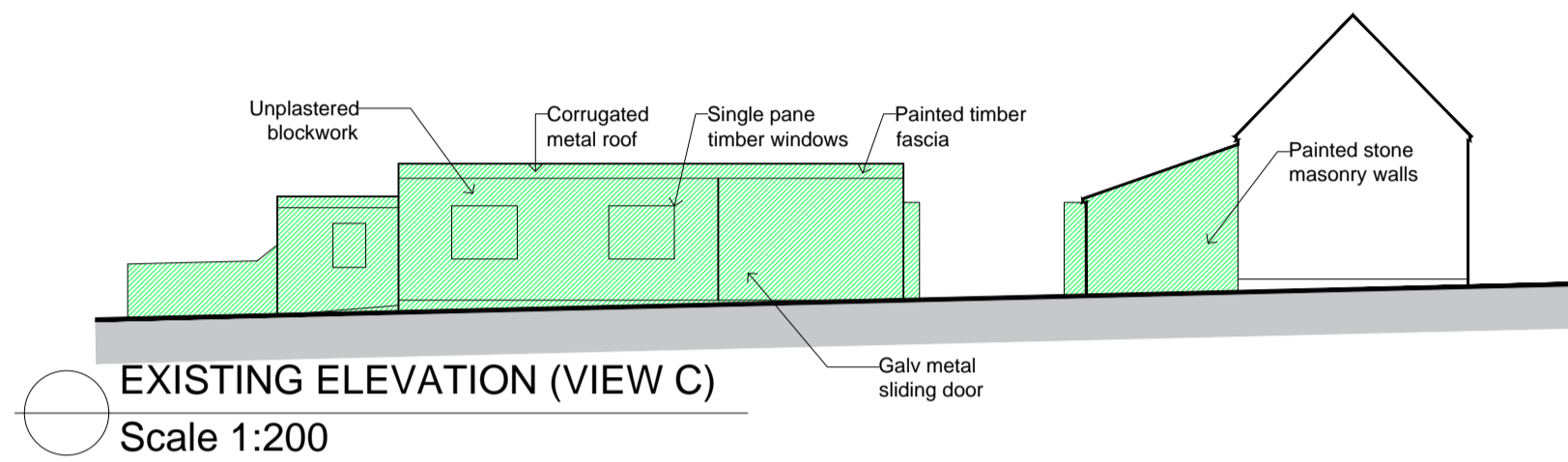
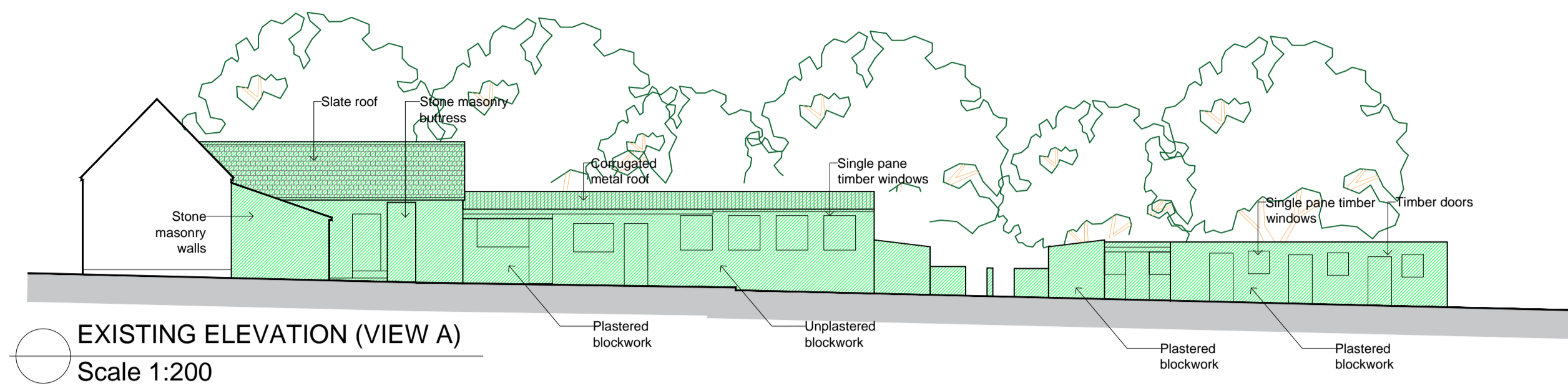


GROUND FLOOR PLAN  
Scale 1:200  
TOTAL AREA OF BUILDINGS BEING TAKEN DOWN AND REMOVED= 347.15M<sup>2</sup>



Wicklow County Council Comhairle  
Chontae Chill Mhantáin

Proposed development of an 'ENTERPRISE HUB'  
at the Wicklow County Campus, Rathnew, Co Wicklow.  
Downtakings and Removals

Scale: 1:200 Date: 26<sup>th</sup> November 2019 BO'D Ref. 19057

BLUETT & O'DONOGHUE  
PROJECT MANAGEMENT ARCHITECTURE PLANNING CONSERVATION (GRADE 1) FIRE ENGINEERING

Part 8 Drawings